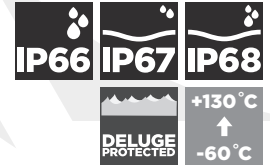


A2F-FF

A2F-FF INTERNATIONALLY APPROVED, FLAT-FORM EXPLOSIVE ATMOSPHERE CABLE GLAND

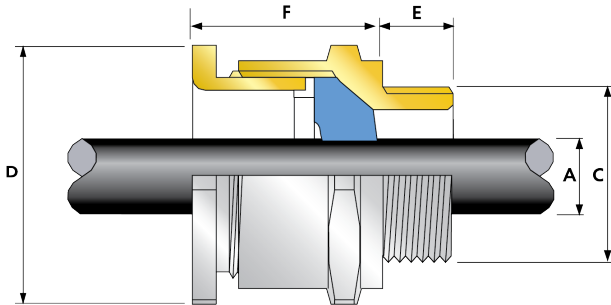
FOR ALL TYPES OF FLAT-FORM UNARMoured & BRAIDED CABLES

- Designed for flat-form / heat trace cables
- Displacement type flameproof seal
- Deluge protected
- -60°C to +130°C (standard)
- Internationally marked, UKEX, IECEx and ATEX



TECHNICAL CLASSIFICATION	
DESIGN SPECIFICATION	BS 6121:Part 1:1989, IEC 62444, EN 62444
MECHANICAL CLASSIFICATION*	Impact = Level 8, Cable Anchorage = Type B
ENCLOSURE PROTECTION	IK10 to IEC 62262 (20 joules) Brass and Stainless Steel only
INGRESS PROTECTION RATING**	IP66, IP67 and IP68***
DELUGE PROTECTION COMPLIANCE	DTS01 : 91
CABLE TYPE	Flat-form Unarmoured and Braided when terminated inside enclosure
SEAL MATERIAL	CMP SOLO LSF Halogen Free Thermostat Elastomer
SEALING TECHNIQUE	CMP Displacement Seal
SEALING AREA(S)	Cable Outer Sheath
CABLE GLAND MATERIAL	Brass, Electroless Nickel Plated Brass, Stainless Steel, Aluminium

* Mechanical and Electrical Classifications applied as per IEC 62444 and EN 62444 ** When CMP installation accessories are used. Refer to www.cmp-products.com for further information.
 *** IP68 tested to a minimum depth of 30 metres for 12 hours, alternative depths / durations can be provided upon request
 Flat-form seals available for alternative Cable Glands upon request



GLOBAL PRODUCT CERTIFICATION			
ATEX CERTIFICATE	CML18ATEX1321X, CML18ATEX4313X	IECEx CERTIFICATE	IECEx CML 18.0179X
UKEX CERTIFICATE	CML 21UKEX1245X, CML 21UKEX4246X		
CODE OF PROTECTION	⊕ II 2G 1D Ex db IIC Gb, Ex eb IIC Gb, Ex ta IIC Da, ⊕ II 3G Ex nR IIC Gc,	CODE OF PROTECTION	Ex db IIC Gb, Ex eb IIC Gb, Ex nR IIC Gc, Ex ta IIC Da,
COMPLIANCE STANDARDS	EN 60079-0,1,7,15,31	COMPLIANCE STANDARDS	IEC 60079-0,1,7,15,31
EAC CERTIFICATE	TC RU C-GB.AA87.B.00487 -60°C to +130°C (standard)	KCS KOSHA CERTIFICATE	13_GA4B0_0748X; 13_GA4B0_0749X; 13_GA4B0_0750X; 14_GA4B0_0251X
CCC CERTIFICATE	2020322313002951	CCOE / PESO (INDIA) CERTIFICATE	P444949
UkrSEPRO	CLQ 19.0371X	ECAS CERTIFICATE	20-02-05362
SANS	IA S-XPL21804 21.0008X		



COMBINED ORDERING REFERENCE ('BRASS METRIC)			AVAILABLE ENTRY THREADS 'C' (ALTERNATIVE METRIC THREAD LENGTHS AVAILABLE)					OVERALL CABLE DIAMETER 'A' (H X W)		ACROSS FLATS 'D'	ACROSS CORNERS 'D'	PROTRUSION LENGTH 'F'	CABLE GLAND WEIGHT (kg)
			STANDARD			OPTION							
SIZE	TYPE	ORDERING SUFFIX	METRIC	THREAD LENGTH (METRIC) 'E'	NPT	THREAD LENGTH (NPT) 'E'	NPT	MIN	MAX	MAX	MAX		
20S	A2FFF	1RA	M20	15.0	½"	19.9	¾"	4.0 x 6.2	6.8 x 11.7	24.0	26.4	25.1	0.054
20	A2FFF	1RA	M20	15.0	½"	19.9	¾"	5.7 x 8.0	8.7 x 13.5	27.0	29.7	27.2	0.059

*For material options add the following suffix to the ordering reference; Brass (no suffix required); Nickel Plated Brass '5'; 316 Grade Stainless Steel '4'; Copper Free Aluminium '1'
 For NPT options please add the following digits to the material suffix; ½" = 31, ¾" = 32, 1" = 33

Examples: 25A2FF1RA432 = Stainless Steel ¾" NPT, 20A2FF1RA5 = Nickel Plated Brass M20

Dimensions are displayed in millimetres unless otherwise stated